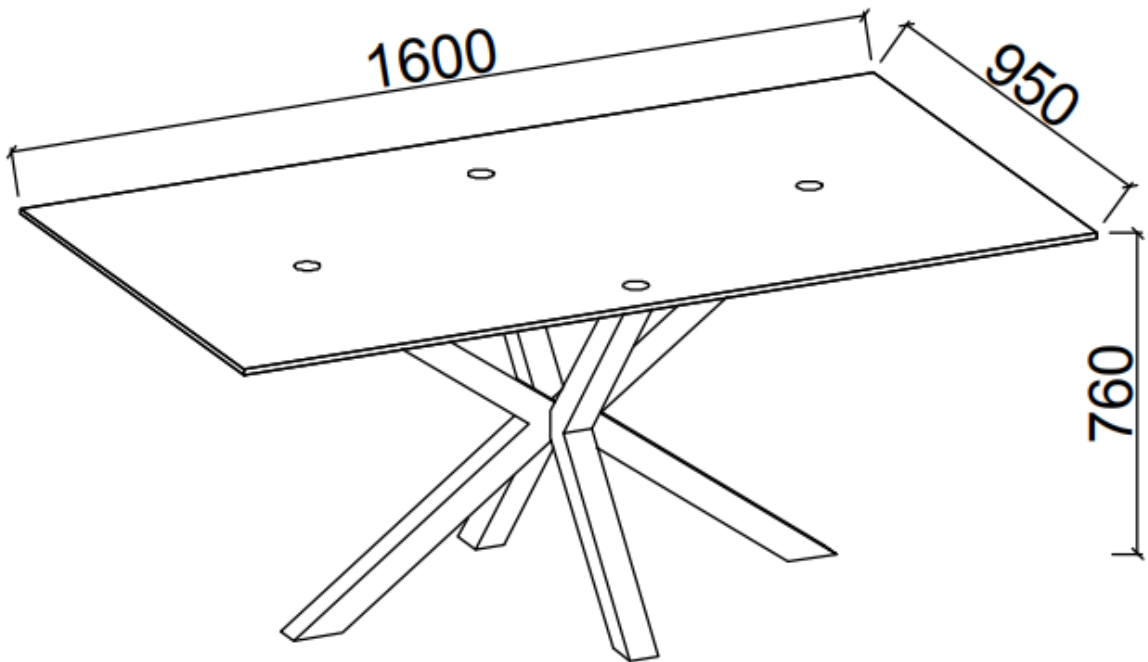




ASSEMBLY INSTRUCTION
BOULEVARD 1600 DINING TABLE
ITEM CODE 69882

Imported by Amart Furniture Pty Ltd, Qld, Brisbane Australia.
For any assistance with assembly or for missing parts please
phone Amart Furniture, Customer Service Free call 1800 351
084

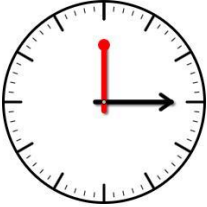



Imported by Amart Furniture Pty Ltd, Qld, Brisbane Australia.
For any assistance with assembly or for missing parts please phone
Amart Furniture, Customer Service Free call 1800 351 084





PRE-ASSEMBLY PREPARATION

Before you start:

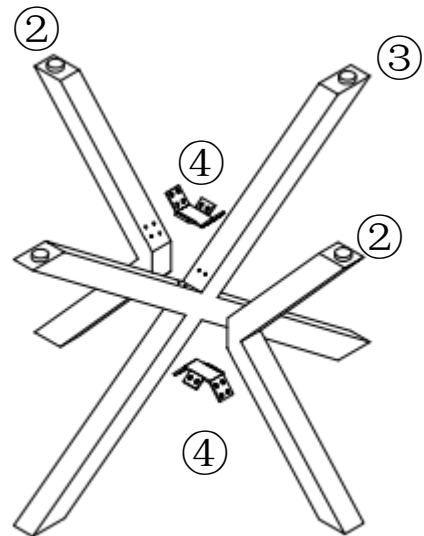
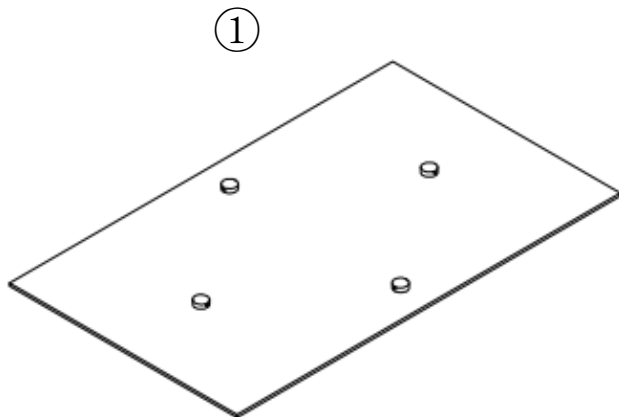
1. Choose a clean, level, spacious assembly area. Avoid hard surfaces that may damage the product
2. Take care when lifting. Product should be assembled as near as possible to the point of use
3. Ensure that you have all required contents for complete assembly
4. Always read the assembly instructions carefully before beginning assembly.
5. Keep all hardware parts and packaging out of reach of small children.
6. Do not over tighten the screws and bolts as this may damage the threads

	
Allow 15 min	For 2 person

PARTS LIST

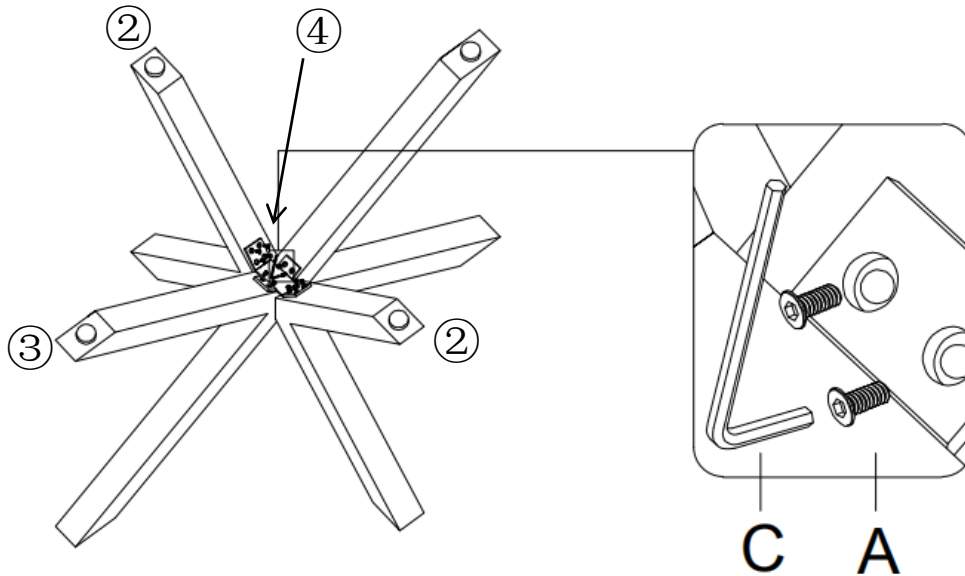
A  M6×15 ×24	B  M6×10 ×4	C  M4 ×1	D  M3 ×1
---	--	---	---

1	GLASS TABLE TOP
2	V-Leg
3	X-Leg
4	Connection Metal



STEP 1:

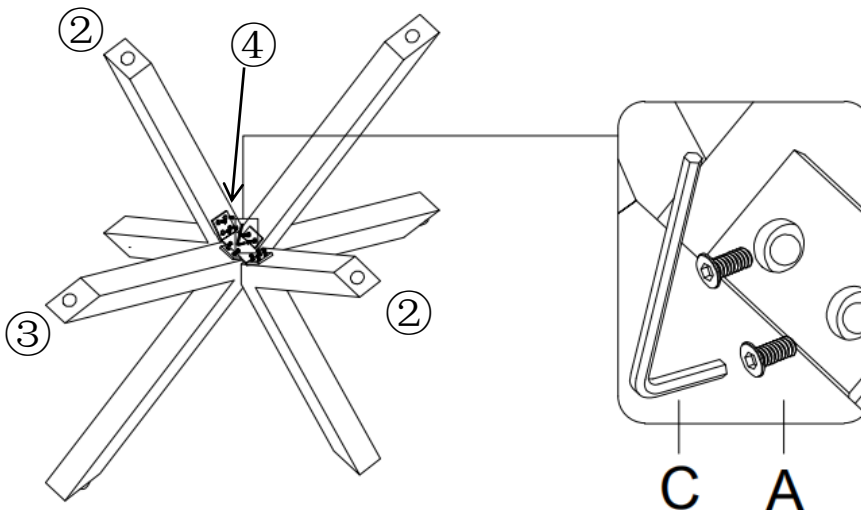
- Insert screw A into Connection Metal ④ using Allen Key C connect two V-Leg ② with the X-Leg ③.



Don't tighten the screws

STEP 2:

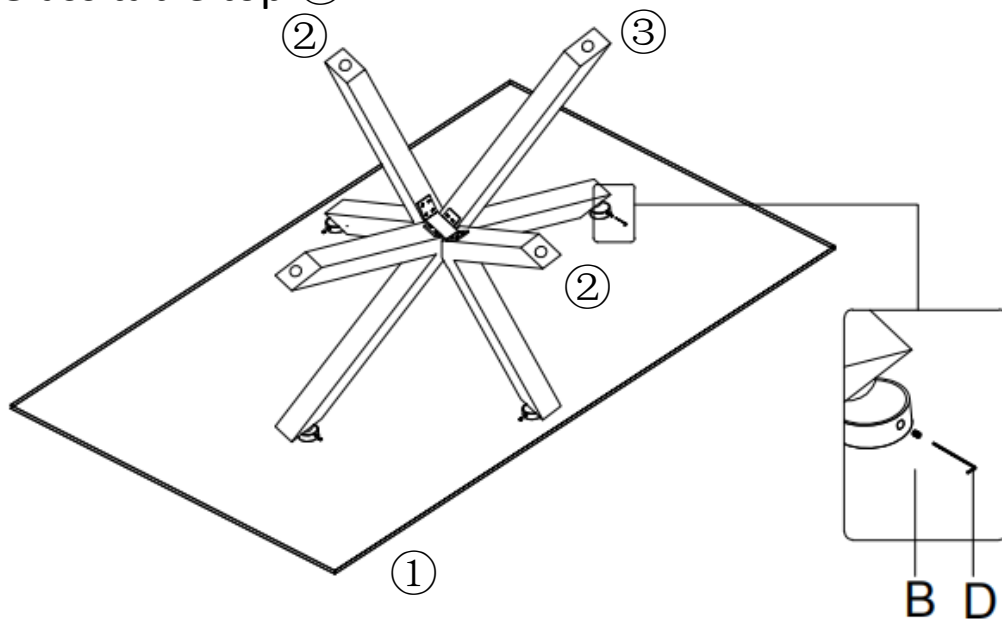
- Stand the table frame upside down, Insert screw A into Connection Metal ④ using Allen Key C connect two V-Leg ② with the X-Leg ③.



Don't tighten the screws

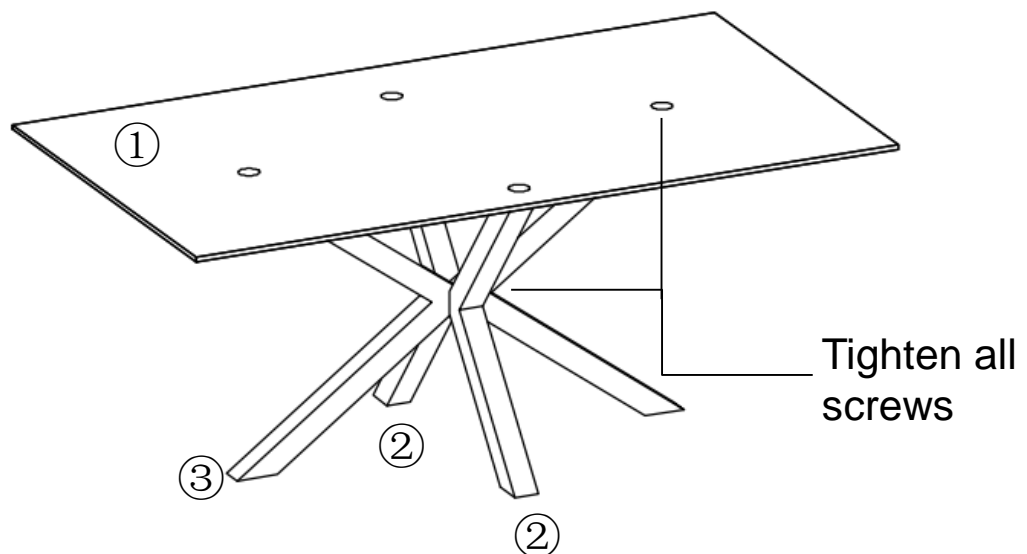
STEP 3:

- Insert Screw B into Aluminium Leg Mount using the Allen Key D connect the two V-Leg ② and X-Leg ③ with Glass table top ①

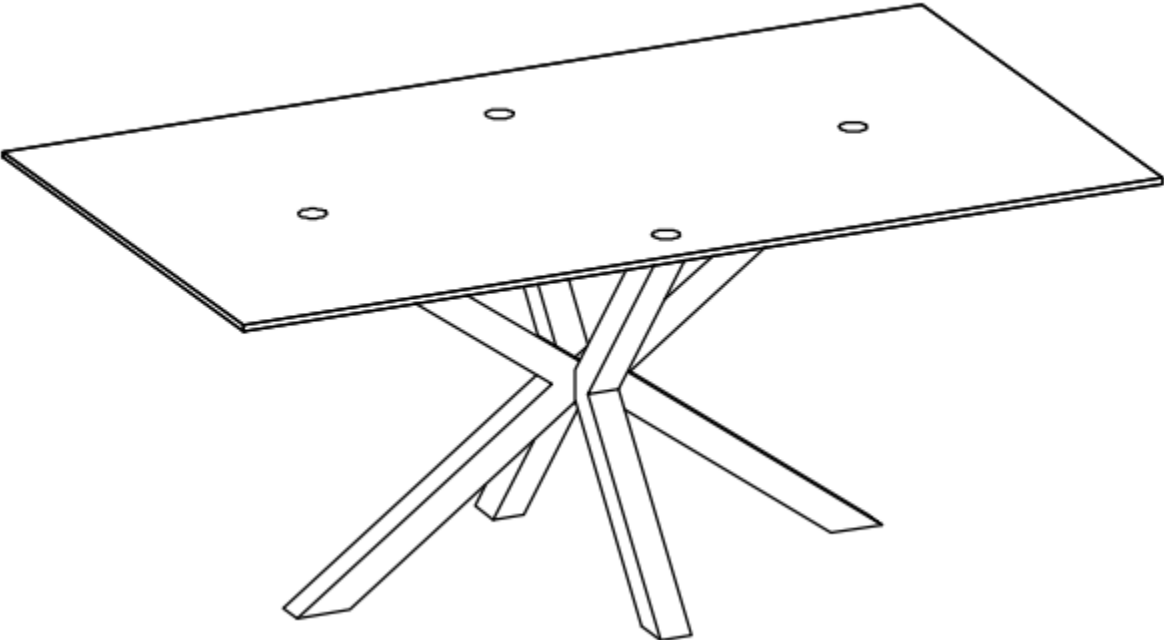


STEP 4:

- Stand on a flat surface, Adjust the four legs to make the table level, tighten all screws.



ASSEMBLY IS COMPLETE



PRODUCT CARE:

If the glass is chipped or broken, stop using the product and consult place of purchase

WARNING:

- **Do not place very hot or cold items on the glass surface unless adequately thick table mats are used to prevent such items coming in contact with the glass**
- **Do not sit or stand upon the glass surface**
- **Do not use the glass as a chopping surface**
- **Do not strike the glass with hard or pointed items**
- **When cleaning the glass panels use a damp cloth or leather with washing up liquid or soft soap if necessary. Do not use washing powders or any other substances containing abrasives since these may scratch the glass**

Our furniture is built to last. Following these steps for basic care should protect your investment for years to come

- **Dust frequently with a clean damp lint-free cloth. This will help remove abrasive build up which can damage a finish over time**
- **Avoid exposing your furniture to strong sunlight, heat outlet, open windows or dampness. Prolonged exposure to direct sunlight can fade the finish of your furniture, while extreme temperature and humidity changes can cause cracking or splitting**
- **Do not allow plastic to come in direct contact with your furniture. Chemicals in the plastic of placemats etc. may soften and mark the finish if left in contact with the furniture for a period of time**